

**SPECIAL NOTE**

THE PART SHOULD NOT CONTAIN PROHIBITED SUBSTANCES AND DETAIL SHOULD COMPLY WITH SCI-RoHS & REACH[SVHC] SUBSTANCE LIST. (STD100001)

**CONTROLLED COPY**  
 Issued Date  
 22 AUG 2012  
 TECHNICAL DIVISION  
 SCI

CHANGE

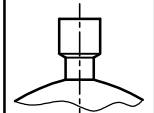
**A1** (F-4)  
 UNSPECIFIED TOLERANCE WAS ADDED.  
 08-01-11  
 J.SANTICHAI  
 S.DUMRONGSAK

**B1** (A-3)  
 2D BARCODE AND STAMPING POSITION WAS ADDED.

**B2** (A-3)  
 SPECIAL NOTE WAS CHANGE.

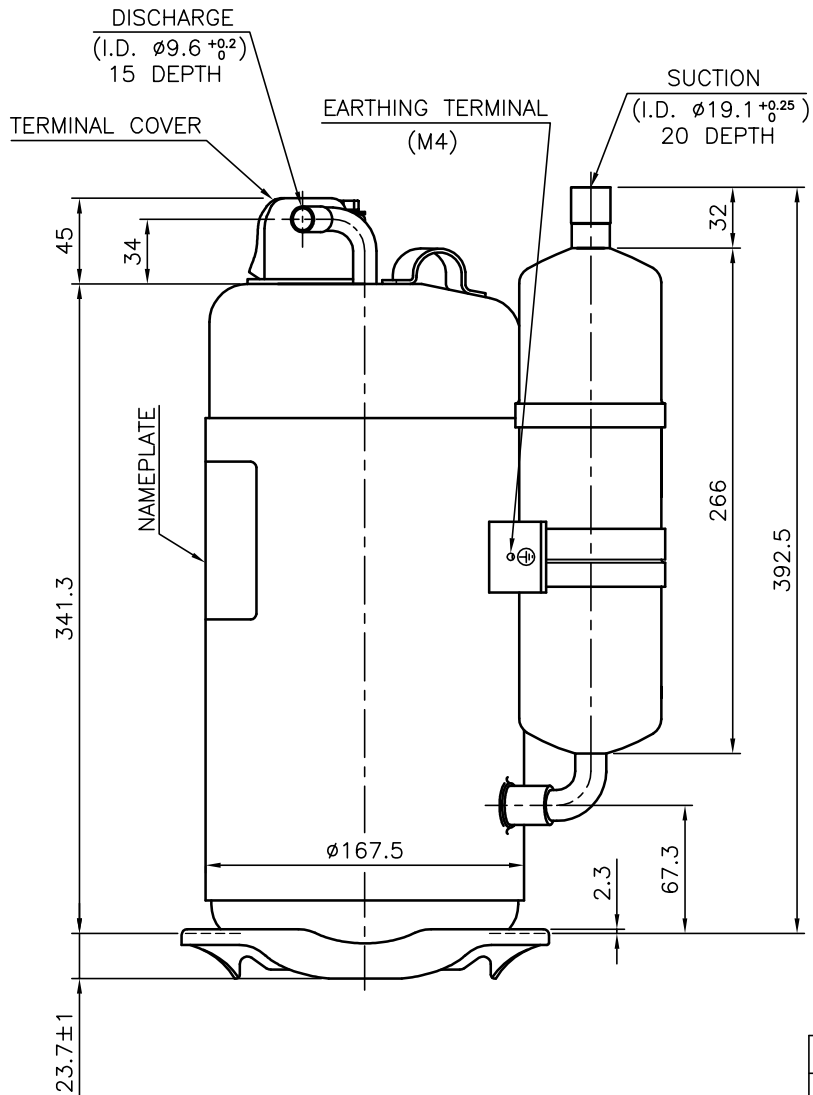
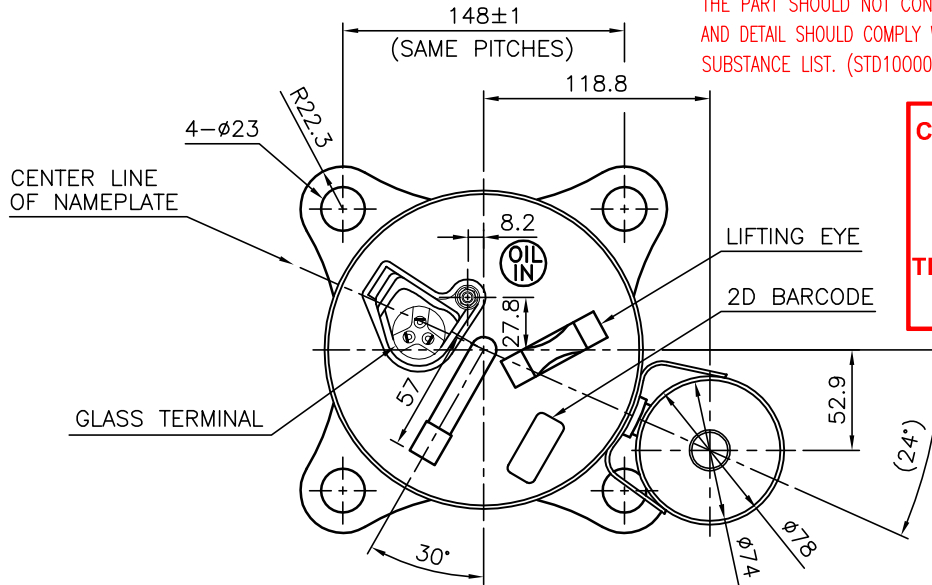
**B3** (F-4)  
 TOLERANCE WAS CHANGE.  
 10-03-03  
 J.SUPOT  
 S.DUMRONGSAK

**C1** (C-3)  
 DRAWING WAS AS BELOW



10-10-06  
 J.SANTICHAI  
 S.DUMRONGSAK

**D1** (B-3)  
 MODEL NAME AND MFG. DATE WERE CANCELLED.  
 12-05-31  
 K.CHINNAPONG  
 S.DUMRONGSAK  
 (NO. NCQ1210141)

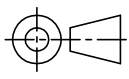


UNSPECIFIED TOLERANCE	
SIZE	±3 mm
ANGLE	±3°

NH SERIES "DT", "XC" TYPE

USE FOR MODEL

- S
- R
- T
- P
- N
- A
- B



**SIAM COMPRESSOR INDUSTRY**  
**MITSUBISHI ELECTRIC GROUP**

DIM. IN mm.	DATE	03-01-09	APPROVED
SCALE	DRAWN	P.ONUMA, K.NATHANICHA	S.DUMRONGSAK
NTS	CHECKED	S.SUPOT	
	DESIGNED	K.CHINNAPONG	

TITLE		<b>COMPR. OUTLINE DWG.</b>	
DWG. No.	SC01D315	1	1