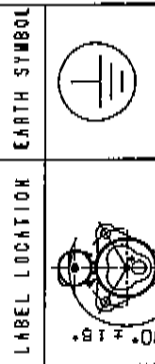
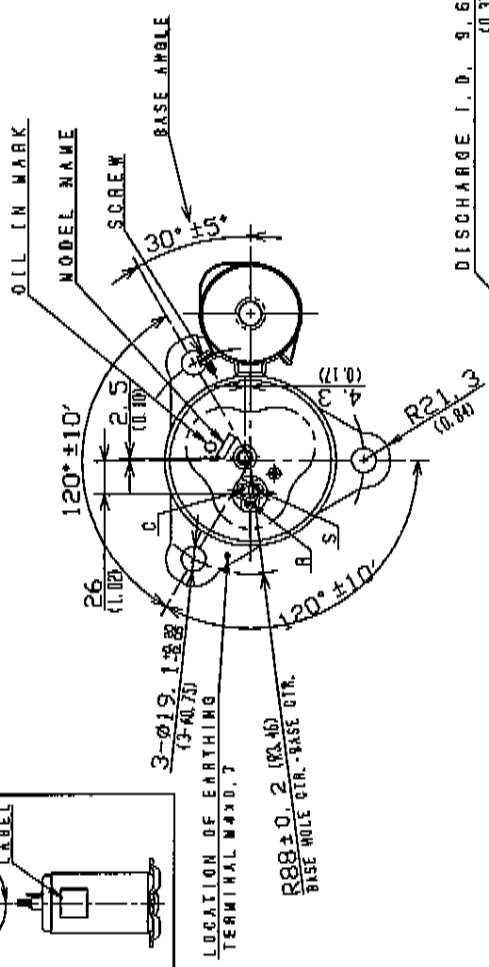


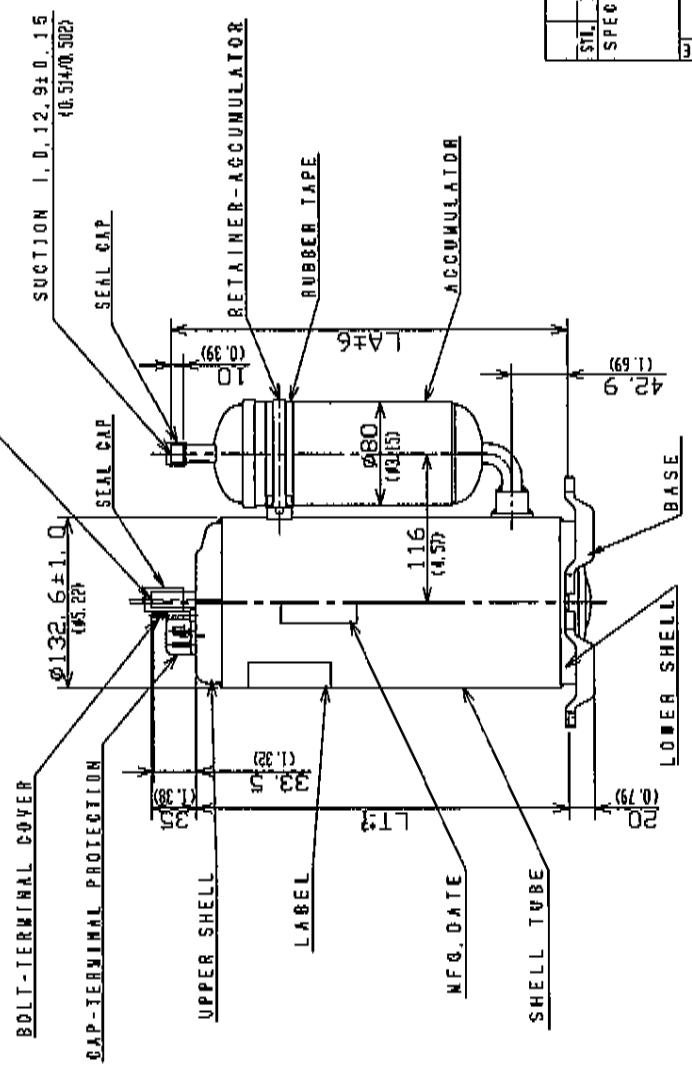
1 2 3 4 5 6 7 8



AD7005937-A



- NOTES:
1. PAINTING : BLACK PAINT BAKER.
 2. OIL : SUNISO 40D OR ATMOS MMS6N OR EQUIVALENT 470CM³ CHARGED AND MARK STAMPED ON THE UPPER SHELL.
 3. NITROGEN GAS (COVER ATMOSPHERIC PRESSURE) CHARGED AFTER BEHYDRATION.
 4. EARTH SYMBOL: SHOWN NEAR THE EARTHING TERMINAL.
 5. ETC. : IDENTIFICATION MARKS FOR COMPRESSOR MANUFACTURING USE MAY BE APPEARED.



AD7005937-A	7005937	2K72S25A10P	290 (11.4)	PHI (Ø) 2.122	DATE SHIPMENT
DRAW. NO.	PARTS NO.	MODEL NAME	L T	L A	DATE SHIPMENT

UNIT: mm(INCH)

SCALE	FREE	REVISION	DATE	BY	CHK	APP	DESIGN	DR	
SPECIFICATION								K-SERIES	
PART NO.								GT. MATERIAL SIZE	
REMARK								COMPRESSOR ASS'Y	
AD7005937-A								AD7005937-A	