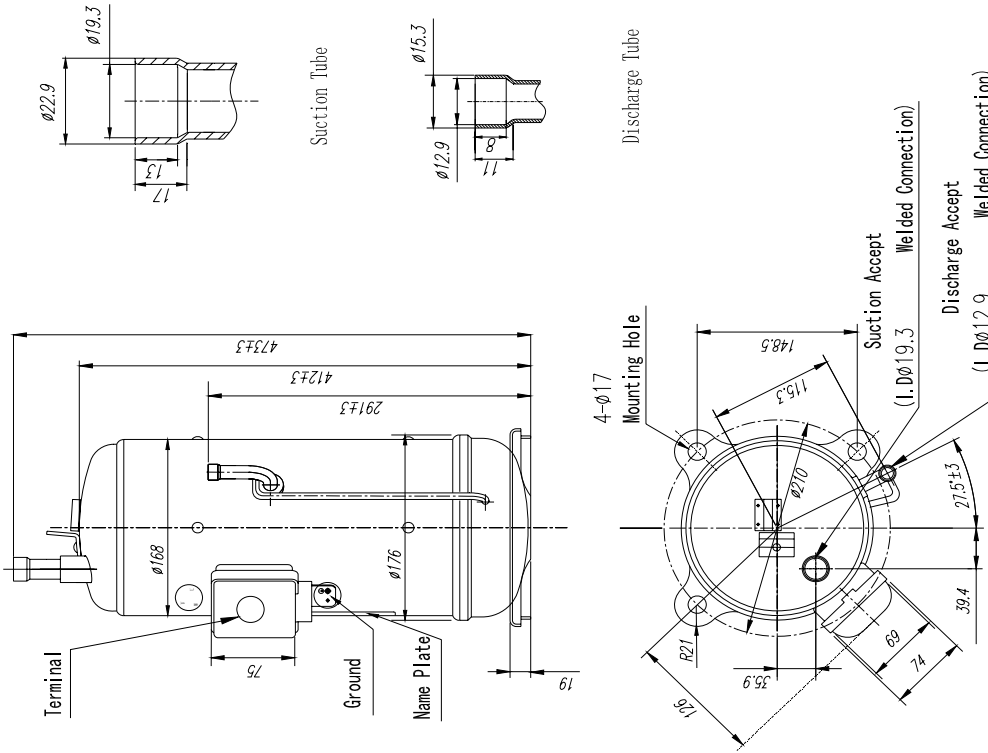
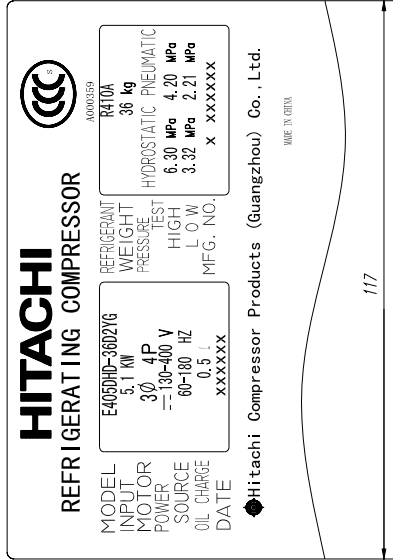


Dimension of Compressor (E405DHD-36D2YG)

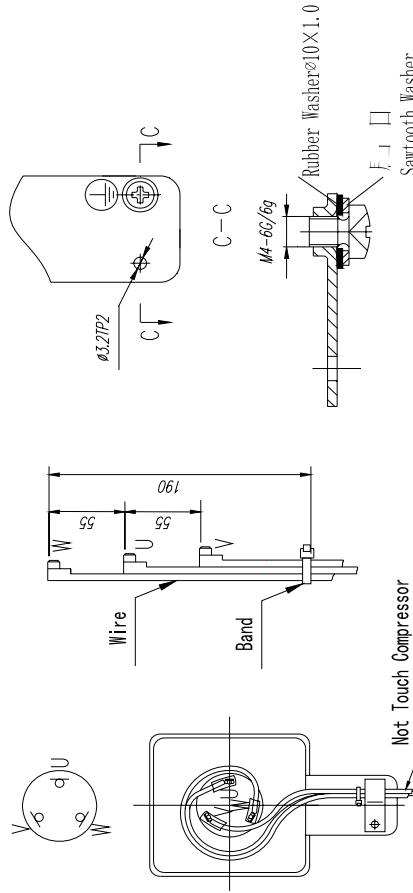


Name Plate



Terminal

Ground



Remark: While be application, the rubber washer must be dismantled.

SHAPE-E02